

M-iClean UM+ – Undercounter dishwasher

All MEIKO dishwashing machines are designed and built to provide maximum efficiency. That's what customers expect – and that's exactly what they get. But the M-iClean goes even further. Equipped with the full spectrum of innovative warewashing technology, the M-iClean's intuitive operating concept ensures maximum efficiency and reliability.

Execution for: Saudi Arabia

Dishwashing machine

Fresh water line: Soft warm water 0-3°dH

Alternating current: 1N PE 230V 60Hz

Technical data

Rack capacity/h (theoretical)

40 / 30 / 15 racks/h

Programme cycle

90 / 120 / 240 s

Rack dimension

500 x 500 mm

Entry height

435 mm

Dimensions (W x Hmin x D)

600 x 820 x 600 mm

Electrical feeding cable

Alternating current 1N PE 230V 60Hz*

Total connected load: 2.9 kW

max. rated current: 15.4 A

Local fuse protection

16 A

Machine protection class

IP X5

Equipment

Control system MIKE CPU4

Bluetooth interface for wireless communication

Leakage detector

Boiler safety device

Automatic self-cleaning when tank is drained

Fresh water line

Air gap 'AB' in accordance with EN 1717 with booster pump

Fresh water supply

Minimum flow pressure 60 kPa / 0.6 bar in front of solenoid valve

Maximum pressure: 500 kPa / 5.0 bar

Max. supply water temperature 60 °C

Flow rate

3 l/min

Final rinse water quantity

2.4 liters/cycle, variable

Boiler

Contents: 7.9 l

Heater: 2.00 kW

Temperature: 83 °C

Tank / boiler locked

Wash tank

Filling: 11.0 l

Heater: 2.00 kW

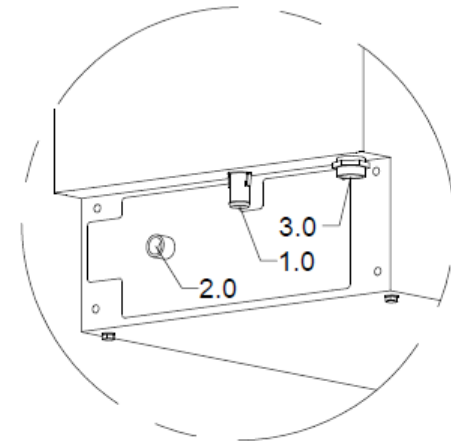
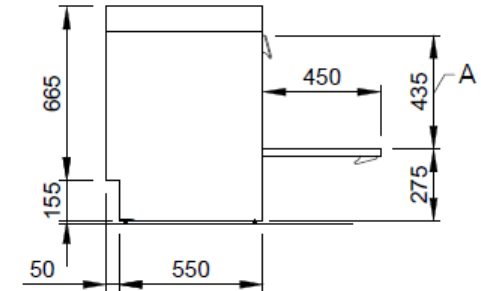
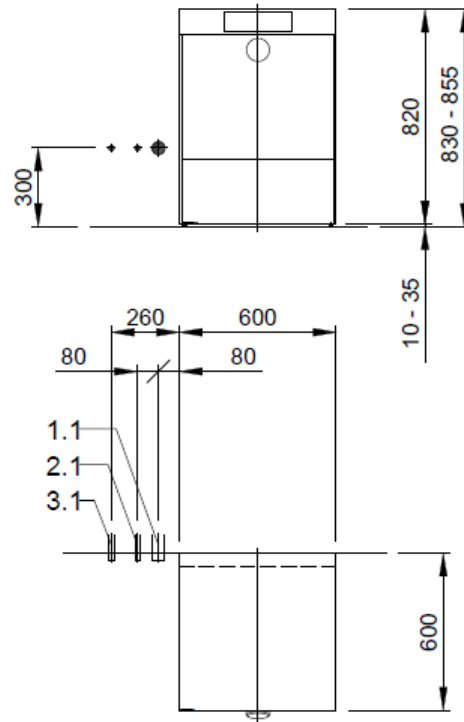
Temperature: 60 °C




Wash pump, with frequency converter	Performance: 0.50 kW
Dosing of rinse aid	Hose pump (24 V) with time control and suction lance
Detergent dosage	Hose pump (24 V) with time control and suction lance
Material	Cladding: 1.4301 Wash tank: 1.4301 Boiler: 1.4571
Heat emission	for 20 programme cycles/h total: 2.1 kW perceptible: 1.4 kW latent: 0.7 kW
Ventilation flow rate	540 m ³ /h
Steam emission	1.0 kg/h
Emission sound pressure level at the workplace (LpA)	61 dB
Net / gross weight	74.0 kg / 86.0 kg (standard packaging)
Packaging dimensions (W x H x D)	700 x 1050 x 700 mm (standard packaging)

*Note:
Electrical equipment suitable for supply voltage:
3N PE 400 V 60 HZ (3N PE 380-415 V 60 Hz)
1N PE 230 V 60 HZ (1N PE 220-240 V 60 Hz)

1.0	machine connection: drain connection hose, DN 22 hose fitted as odour trap in interior of machine
1.1	drain (max. 700 mm above finished floor level), DN 50
2.0	Machine connection: fresh water supply, G 3/4"
2.1	Soft warm water 45-60°, DN 15, G 3/4 a max. 0,54 mmol/l CaCO ₃ (max. 3°dH) Flow rate: 3 l/min Minimum flow pressure: 60 kPa / 0.6 bar in front of solenoid valve Maximum pressure: 500 kPa / 5.0 bar stopcock and fine screen ≤ 25 µm
3.0	Machine connection: electrical connection cable 3G 2,5 mm ²
3.1	electricity supply to the machine: 1N PE 230V ~ 60Hz nominal current / - capacity: 15.4 A / 2.9 kW Fuse protection: 16 A ⚡ Voltage equalising cable The master switch must be provided on site Note: Electrical equipment suitable for supply voltage: 3N PE 380-415 V 60 Hz / 1N PE 220-240 V 60 Hz
6.0	Heat load of warewash area
6.1	for 20 programme cycles/h total 2.1 kW, perceptible 1.4 kW, latent 0.7 kW
all cables, pipes etc leaving machine 1,6 m	
the position of the connection piping can also be mirror-inverted!	
Machine Equipment	
(A) Entry height	
Final rinse dosing unit with suction lance (blue connector)	
Detergent dosing unit and suction lance	



MP000409606.2.4
©COPYRIGHT by MEIKO

 MEIKO MEIKO MIDDLE EAST FZE GoldDiamond Park, Building#6, office #206 P. O. Box 282365, U.A.E.-Dubai Phone +971 43 41 51 72 E-MAIL: wat@meiko.de	Revision		
	Reference	DISHWASHER STANDARD DRAWING / SAU M2	
This drawing may not be neither passed to third parties for their information or copied or used for competitive purposes without our consent. All rights reserved. We reserve the right to make changes resulting from technical progress. This drawing was computer generated and is not subject to the checking and any release process; it is also not subject to change management. Please note: This document is only valid in conjunction with the conditions defined in Supplementary Sheet "Important Information". These can be requested from the manufacturer or downloaded from the Partnernet.	Type	M-ICLEAN UM+ M2	
	TYPE: CROCKERY	Drawing-No.	Order-No.
	Scale	drawn:	checked:
	1:25	12.05.2020 m-iplan	12.05.2020 m-iplan

SAU EN

©COPYRIGHT by MEIKO