

M-iClean UL Gio- Undercounter Potwasher

A new generation of appliances that are designed to appeal to all our senses, created from an affinity for technology, efficiency, eco-friendliness and beautiful design. Dishwashing has never been so cost-effective, so environmentally-friendly and so attractive to the eye.

Execution for: United Arab Emirates

Utensil washer

Fresh water line: Soft cold water 0-3 °dH

3-phase current: 3N PE 400V 50Hz

Thermolabel



Gio Module (separately)
Dimensions: 600 x 820 x 680 mm

Technical data

Rack capacity/h (theoretical)

40 / 30 / 15 racks/h

Programme cycle

90 / 120 / 240 s

Rack dimension

500 x 600 (500) mm

Entry height

435 mm

Dimensions (W x Hmin x D)

600 x 820 x 680 mm

Electrical feeding cable

3-phase current 3N PE 400V 50Hz*

Total connected load: 11.4 kW

max. rated current: 19.6 A

Local fuse protection

25 A

Machine protection class

IP X5

Equipment

Control system MIKE CPU4

Bluetooth interface for wireless communication

Leakage detector

Boiler safety device

Automatic self-cleaning when tank is drained

Thermolabel

Integrated reverse osmosis (with connection and discharge set)

Fresh water line

For reverse osmosis: connecting set with stop valve,

Pressure regulator, filter 10 µm with activated carbon

Internal: air gap 'AB' in accordance with EN 1717 with booster pump

Fresh water supply

Minimum flow pressure 100 kPa / 1.0 bar in front of solenoid valve

Maximum pressure 500 kPa / 5.0 bar in front of pressure reducer

Max. supply water temperature 35 °C

Flow rate

total 4.3 l/min (at 15 °C inlet temperature and a flow pressure of 200 kPa / 2 bar)


Permeate 2.0 l/min

Concentrate 2.3 l/min

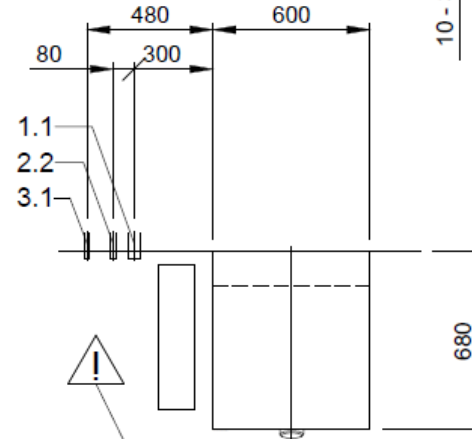
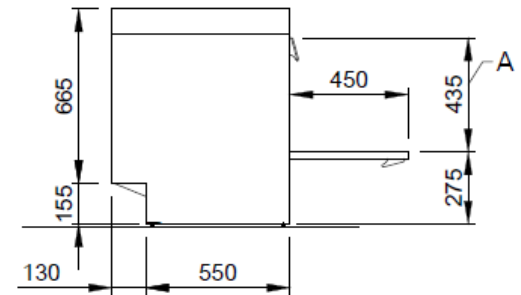
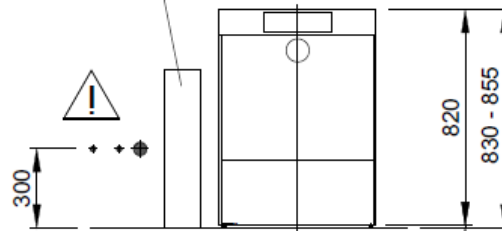
Fresh water thresholds	Temperature cold water min. 1 °C to max. 35 °C electrical conductivity < 1000 µS/cm Total hardness max. 28 dH / 5 mmol/l CaCO ₃ Free of particles > 10 µm Iron < 0.10 mg/l Manganese < 0.04 mg/l Chlorine < 0.10 mg/l (free chlorine) Potassium permanganate < 10 mg/l Silicic acid < 10 mg/l
Final rinse water quantity	2.8 liters/cycle, variable
Boiler	Contents: 7.9 l Heater: 6.00 kW Temperature: 83 °C
Wash tank	Filling: 11.0 l Heater: 4.50 kW Temperature: 74 °C
Wash pump, with frequency converter	Performance: 0.50 kW
Dosing of rinse aid	Hose pump (24 V) with time control and suction lance
Detergent dosage	Hose pump (24 V) with time control and suction lance
Material	Cladding: 1.4301 Wash tank: 1.4301 Boiler: 1.4571
Heat emission	for 20 programme cycles/h total: 2.1 kW perceptible: 1.4 kW latent: 0.7 kW
Ventilation flow rate	540 m ³ /h
Steam emission	1.0 kg/h
Emission sound pressure level at the workplace (LpA)	62 dB
Packaging dimensions (W x H x D)	700 x 1050 x 770 mm (standard packaging)

*Note:

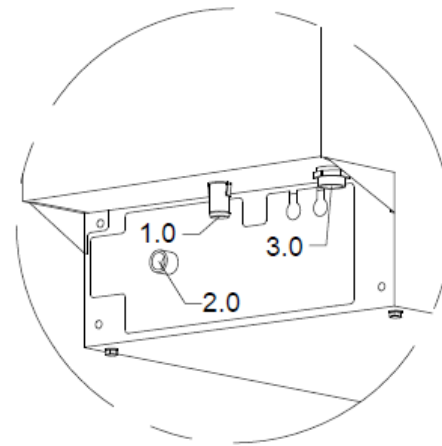
Electrical equipment suitable for supply voltage:
3N PE 400 V 50 HZ (3N PE 380-415 V 50 Hz)
1N PE 230 V 50 HZ (1N PE 220-240 V 50 Hz)


1.0	machine connection: drain connection hose, DN 22 hose fitted as odour trap in interior of machine
1.1	drain (max. 300 mm above finished floor level), DN 50
2.0	Machine connection: fresh water supply, G 3/4"
2.2	Soft cold water 10°C, DN 15, G 3/4 a max. 0,54 mmol/l CaCO ₂ (max. 3°dH) electrical conductivity < 1000 µS/cm Minimum flow pressure: 100 kPa / 1.0 bar in front of solenoid valve Maximum pressure: 500 kPa / 5.0 bar in front of pressure reducer stopcock and fine screen ≤ 25 µm
3.0	Machine connection: electrical connection cable 5G 4mm ²
3.1	electricity supply to the machine: 3N PE 400V ~ 50Hz nominal current / - capacity: 19.6 A / 11.4 kW Fuse protection: 25 A Ⓢ Voltage equalising cable The master switch must be provided on site Note: Electrical equipment suitable for supply voltage: 3N PE 380-415 V 50 Hz / 1N PE 220-240 V 50 Hz
6.0	Heat load of warewash area
6.1	for 10 programme cycles/h total 1.1 kW, perceptible 0.7 kW, latent 0.4 kW
all cables, pipes etc leaving machine 1,6 m	
the position of the connection piping can also be mirror-inverted!	
Machine Equipment	
(A) Entry height	
Final rinse dosing unit with suction lance (blue connector)	
Detergent dosing unit and suction lance	
GiO MODULE (separate)	
Thermolabel	
	Please observe the installation indications of the additional document MP_T-INFO-GiO_EN.pdf

GiO MODULE (W x D x H) 140 x 550 x 600 mm
Connecting pipe from the module to the machine, 3 m long



Please note:
Additional installation components are necessary (connection and drain kits)



 <p>MEIKO MIDDLE EAST FZE GoldDiamond Park, Building#6, office #206 P. O. Box 282365, U.A.E.-Dubai Phone +971 43 41 51 72 E-MAIL: wat@meiko.de</p> <p>This drawing may not be neither passed to third parties for their information or copied or used for competitive purposes without our consent. All rights reserved. We reserve the right to make changes resulting from technical progress. This drawing was computer generated and is not subject to the checking and any release process; it is also not subject to change management. Please note: This document is only valid in conjunction with the conditions defined in Supplementary Sheet "Important Information". These can be requested from the manufacturer or downloaded from the Partnernet.</p>	Revision		
	Reference	DISHWASHER STANDARD DRAWING / ARE	
	Type	M-ICLEAN UL	
	TYPE: UNIVERSAL	GiO MODULE SEPARATE THERMOLABEL	
Drawing-No.	S00080606		Order-No.
Scale	drawn:	checked:	
1:25	12.05.2020 m-iplan	12.05.2020 m-iplan	

MP000409800_2.4
©COPYRIGHT by MEIKO

ARE EN

©COPYRIGHT by MEIKO