

UPster U 400 M2 – 1 Phase

Undercounter glass washer

MEIKO's new UPster® U M2 range of undercounter dishwashers pulls out all the stops when it comes to professional warewashing technology, offering efficient cleaning performance, easy operation, maximum flexibility, and exceptional value for money. The perfect choice for your wash-up area. Simply plug it in and

Execution for: United Arab Emirates

GLASSES / CROCKERY

Fresh water line: Soft warm water 0-3°dH

Alternating current: **1N PE 230V 50Hz**



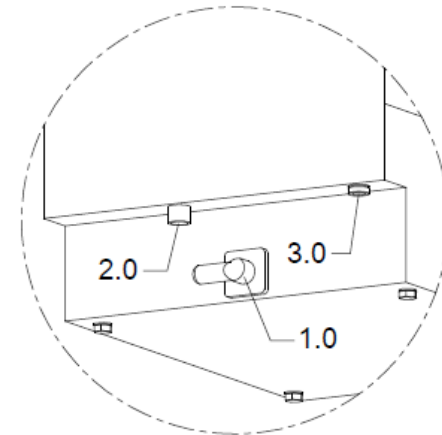
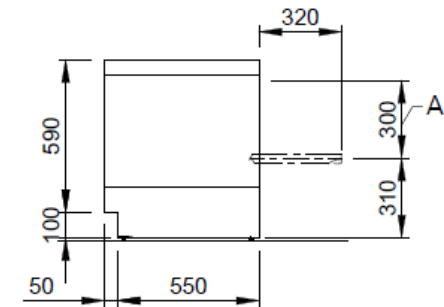
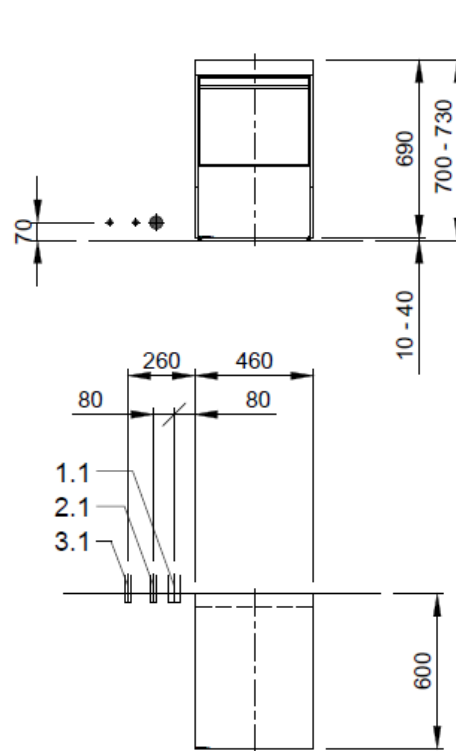
Technical data


Rack capacity/h (theoretical)	30 / 20 / 15 racks/h
Programme cycle	120 / 180 / 240 s (glass / dish / dish intensive)
Rack dimension	400 x 400 mm
Entry height	300 mm
Dimensions (W x Hmin x D)	460 x 700 x 600 mm
Electrical feeding cable	Alternating current 1N PE 230V 50Hz* Total connected load: 2.7 kW max. rated current: 12.8 A
Local fuse protection	16 A
Machine protection class	IP X4
Equipment	Control system MIKE CPU1 Infrared interface for wireless communication Soft start Boiler safety device Automatic self-cleaning when tank is drained
Fresh water supply	Minimum flow pressure 250 kPa / 2.5 bar in front of solenoid valve Maximum pressure 500 kPa / 5.0 bar Max. supply water temperature 60 °C
Flow rate	min. 0.22 l/s at 250 kPa/2.5 bar flow pressure
Final rinse water quantity	2.2 liters/cycle
Boiler	Contents: 4.2 l Heater: 2.00 kW Temperature: 65 °C, with dish wash programme 83 °C Tank / boiler locked
Wash tank	Filling: 11.0 l Heater: 2.00 kW Temperature: 60 °C

Wash pump	Performance: 0.55 kW
Dosing of rinse aid	Hose pump (24 V) with time control and suction lance
Detergent dosage	Hose pump (24 V) with time control and suction lance
Material	Cladding: 1.4301 Wash tank: 1.4301 Boiler: 1.4404
Heat emission	for 15 programme cycles/h total: 1.0 kW perceptible: 0.7 kW latent: 0.3 Kw
Ventilation flow rate	250 m ³ /h
Steam emission	0.5 kg/h
Emission sound pressure level at the workplace (LpA)	62 dB

*Note:
Electrical equipment suitable for supply voltage:
3N PE 400 V 50 HZ (3N PE 380-415 V 50 Hz)
1N PE 230 V 50 HZ (1N PE 220-240 V 50 Hz)

1.0	machine connection: drain connection hose, DN 22 hose fitted as odour trap in interior of machine
1.1	drain (recommended height 70 mm, over 100 mm waste water pump required), DN 50
2.0	Machine connection: fresh water supply, G 3/4"
2.1	Soft warm water 45-60°, DN 20, G 3/4 a max. 0,54 mmol/l CaCO ₃ (max. 3°dH) Flow rate: min. 0.22 l/s at 250 kPa/ 2.5 bar flow pressure Minimum flow pressure: 250 kPa / 2.5 bar in front of solenoid valve Maximum pressure: 500 kPa / 5.0 bar stopcock and fine screen ≤ 25 µm
3.0	Machine connection: electrical connection cable 3G 2,5 mm ²
3.1	electricity supply to the machine: 1N PE 230V ~ 50Hz nominal current / - capacity: 12.8 A / 2.7 kW Fuse protection: 16 A ⊕ Voltage equalising cable The master switch must be provided on site Electrical equipment suitable for supply voltage: 3N PE 380-415 V 50 Hz / 1N PE 220-240 V 50 Hz
6.0	Heat load of warewash area
6.1	for 15 programme cycles/h total 1.0 kW, perceptible 0.7 kW, latent 0.3 kW
all cables, pipes etc leaving machine 1,6 m	
the position of the connection piping can also be mirror-inverted!	
Machine Equipment	
(A) Entry height	
Rinse agent pipe and suction lance (blue connector)	
Detergent pipe and suction lance	



 MEIKO MIDDLE EAST FZE GoldDiamond Park, Building#6, office #206 P.O. Box 282365, U.A.E.-Dubai Phone +971 43 41 51 72 E-MAIL: wat@meiko.de	Revision	
	Reference	DISHWASHER STANDARD DRAWING / ARE
This drawing may not be neither passed to third parties for their information or copied or used for competitive purposes without our consent. All rights reserved. We reserve the right to make changes resulting from technical progress. This drawing was computer generated and is not subject to the checking and any release process; it is also not subject to change management. Please note: This document is only valid in conjunction with the conditions defined in Supplementary Sheet "Important Information". These can be requested from the manufacturer or downloaded from the Partnernet.	Type	UPSTER U 400 M2
	GLASS AND DISHWASHER	
Drawing-No.	S00078804	Order-No.
Scale	1:25	checked:
drawn:	08.04.2020 m-iplan	08.04.2020 m-iplan

MP000403486.1.7

©COPYRIGHT by MEIKO

ARE EN

©COPYRIGHT by MEIKO