

## UPster U500 M2 Gio

### Undercounter dishwasher

MEIKO's new UPster® U M2 range of undercounter dishwashers pulls out all the stops when it comes to professional warewashing technology, offering efficient cleaning performance, easy operation, maximum flexibility, and exceptional value for money. The perfect choice for your wash-up area. Simply plug it in and you're ready to go!



**Gio Module (rear panel)**  
 Dimensions: 600 x 820 x 680 mm



**Gio Module (separate)**  
 Dimensions: 600 x 820 x 600 mm

### Execution for: United Arab Emirates

#### Dishwashing machine

Fresh water line: Soft cold water 0-3 °dH  
 3-phase current: 3N PE 400V 60Hz  
 Gio MODULE

## Technical data

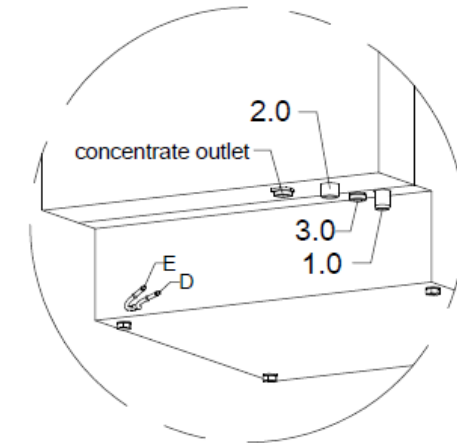
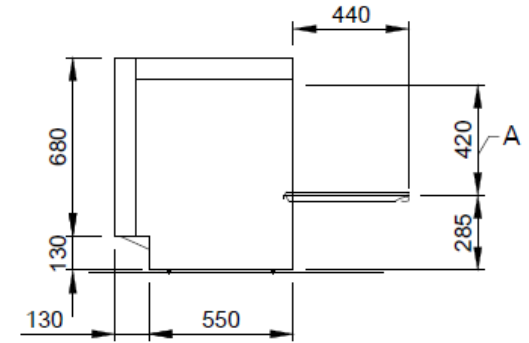
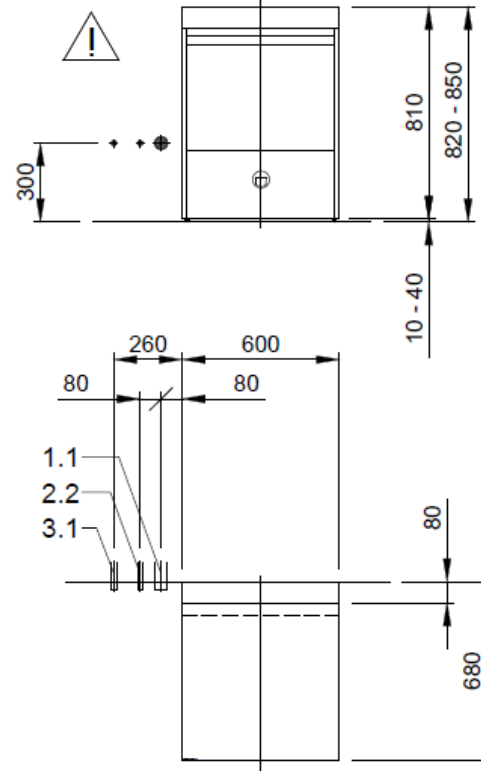
<b>Rack capacity/h (theoretical)</b>	40 / 30 / 15 racks/h
<b>Programme cycle</b>	90 / 120 / 240 s
<b>Rack dimension</b>	500 x 500 mm (540 x 500)
<b>Entry height</b>	420 mm
<b>Dimensions (W x Hmin x D)</b>	600 x 820 x 600 mm
<b>Electrical feeding cable</b>	3-phase current 3N PE 400V 60Hz* Total connected load: 8.4 kW max. rated current: 18.4 A
<b>Local fuse protection</b>	20 A
<b>Machine protection class</b>	IP X4
<b>Equipment</b>	Control system MIKE CPU1 Infrared interface for wireless communication Leakage detector Soft start Boiler safety device Drain pump AktivPlus wash water filter system Automatic self-cleaning when tank is drained Integrated reverse osmosis (with connection and discharge set)
<b>Fresh water line</b>	For reverse osmosis: connecting set with stop valve, Pressure regulator, filter 10 µm with activated carbon Internal: air gap 'AA' in accordance with EN 1717 with booster pump
<b>Fresh water supply</b>	Minimum flow pressure 100 kPa / 1.0 bar in front of solenoid valve Maximum pressure 500 kPa / 5.0 bar in front of pressure reducer Max. supply water temperature 35 °C

<b>Flow rate</b>	total 5.5 l/min (at 15 °C inlet temperature and a flow pressure of 200 kPa / 2 bar) Permeate 2.0 l/min Concentrate 3.5 l/min
<b>Fresh water thresholds</b>	Temperature cold water min. 1 °C to max. 35 °C electrical conductivity < 1000 µS/cm Total hardness max. 28 dH / 5 mmol/l CaCO <sub>3</sub> Free of particles > 10 µm Iron < 0.10 mg/l Manganese < 0.04 mg/l Chlorine > 0.10 mg/l (free chlorine) Potassium permanganate < 10 mg/l Silicic acid < 10 mg/l
<b>Final rinse water quantity</b>	2.6 liters/cycle
<b>Boiler</b>	Contents: 7.0 l Heater: 7.50 kW Temperature: 83 °C Tank / boiler locked
<b>Wash tank</b>	Filling: 11.0 l Heater: 2.00 kW Temperature: 60 °C
<b>Wash pump</b>	Performance: 0.55 kW
<b>Dosing of rinse aid</b>	Hose pump (24 V) with time control and suction lance
<b>Detergent dosage</b>	Hose pump (24 V) with time control and suction lance
<b>Material</b>	Cladding: 1.4301 Wash tank: 1.4301 Boiler: 1.4404
<b>Heat emission</b>	for 20 programme cycles/h total: 2.1 kW perceptible: 1.4 kW latent: 0.7 kW
<b>Ventilation flow rate</b>	540 m <sup>3</sup> /h
<b>Steam emission</b>	1.0 kg/h
<b>Emission sound pressure level at the workplace (LpA)</b>	63 dB

**Gio Module (rear panel)**

**Dimensions:** 600 x 820 x 680 mm

1.0	machine connection: drain connection hose, DN 22 hose fitted as odour trap in interior of machine
1.1	drain (max. 700 mm above finished floor level), DN 50
2.0	Machine connection: fresh water supply, G 3/4"
2.2	Soft cold water 10°C, DN 15, G 3/4 a max. 0,54 mmol/l CaCO <sub>3</sub> (max. 3°dH) Flow rate: total 5.5 l/min (at 15 °C inlet temperature and a flow pressure of 200 kPa / 2 bar) electrical conductivity < 1000 µS/cm Minimum flow pressure: 100 kPa / 1.0 bar in front of solenoid valve Maximum pressure: 500 kPa / 5.0 bar in front of pressure reducer stopcock and fine screen ≤ 25 µm
3.0	Machine connection: electrical connection cable 5G 2,5mm <sup>2</sup>
3.1	electricity supply to the machine: 3N PE 400V ~ 60Hz nominal current / - capacity: 18.4 A / 8.4 kW Fuse protection: 20 A ⚡ Voltage equalising cable The master switch must be provided on site Electrical equipment suitable for supply voltage: 3N PE 380-415 V 60 Hz
6.0	Heat load of warewash area
6.1	for 20 programme cycles/h total 2.1 kW, perceptible 1.4 kW, latent 0.7 kW
all cables, pipes etc leaving machine 1,6 m	
the position of the connection piping can also be mirror-inverted!	
<b>Machine Equipment</b>	
(A) Entry height	
(D) Rinse agent pipe and suction lance	
(E) Detergent dosing unit with suction lance	
Chlorine-resistant membrane (> 0,1 mg/l bis 2,0 mg/l)	
	Please observe the installation indications of the additional document MP_T-INFO-GIO_EN.pdf



MP000411898.1.9

©COPYRIGHT by MEIKO

<p>MEIKO MIDDLE EAST FZE GoldDiamond Park, Building#6, office #206 P.O. Box 282365, U.A.E.-Dubai Phone +971 43 41 51 72 E-MAIL: wat@meiko.de</p>	Revision		
	Reference	DISHWASHER STANDARD DRAWING / SAU	
<p>This drawing may not be neither passed to third parties for their information or copied or used for competitive purposes without our consent. All rights reserved. We reserve the right to make changes resulting from technical progress. This drawing was computer generated and is not subject to the checking and any release process; it is also not subject to change management. Please note: This document is only valid in conjunction with the conditions defined in Supplementary Sheet "Important Information". These can be requested from the manufacturer or downloaded from the Partnernet.</p>	Type	UPSTER U 500 M2 GIO MODULE REAR PANEL	
	TYPE: GLASSES	Drawing-No.	S00081267
Scale	drawn:	checked:	
1:25	20.05.2020 m-iplan	20.05.2020 m-iplan	

SAU

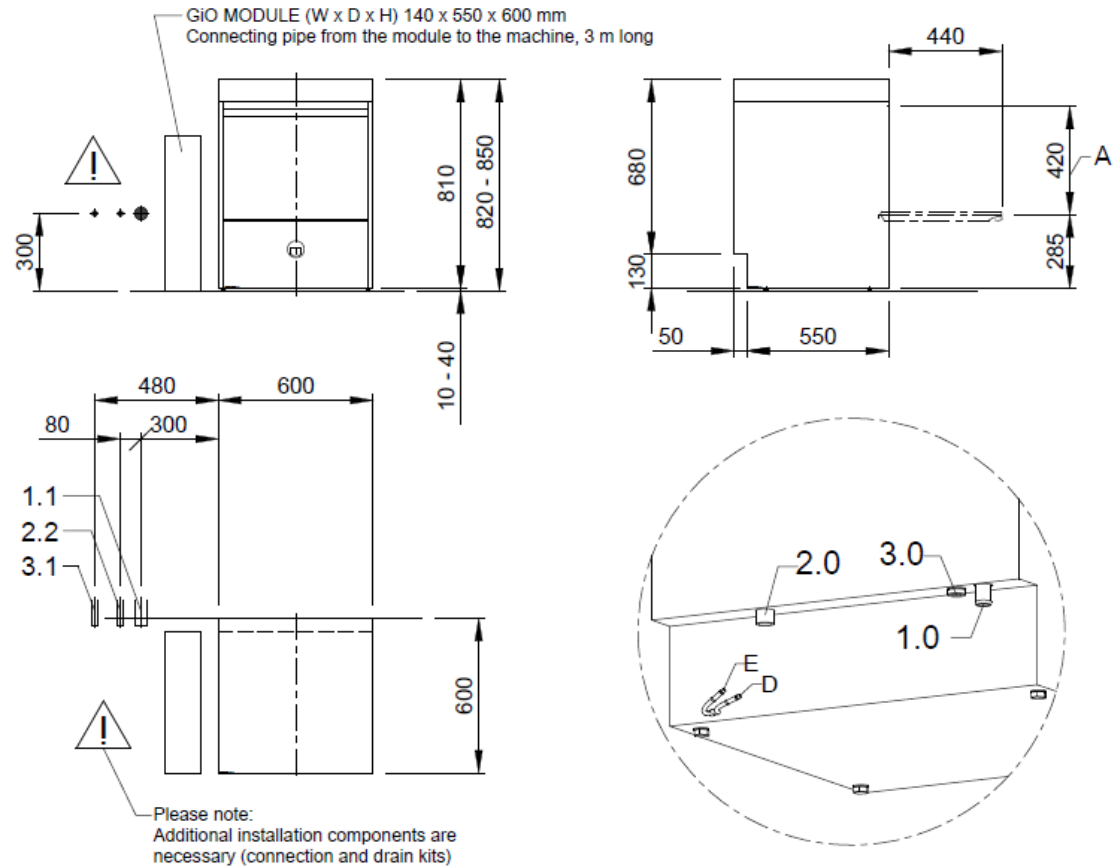
EN

©COPYRIGHT by MEIKO

**Gio Module (separate)**

**Dimensions:** 600 x 820 x 600 mm

1.0	machine connection: drain connection hose, DN 22 hose fitted as odour trap in interior of machine
1.1	drain (max. 700 mm above finished floor level), DN 50
2.0	Machine connection: fresh water supply, G 3/4"
2.2	Soft cold water 10°C, DN 15, G 3/4 a max. 0,54 mmol/l CaCO <sub>2</sub> (max. 3°dH) Flow rate: total 5.5 l/min (at 15 °C inlet temperature and a flow pressure of 200 kPa / 2 bar) electrical conductivity < 1000 µS/cm Minimum flow pressure: 100 kPa / 1.0 bar in front of solenoid valve Maximum pressure: 500 kPa / 5.0 bar in front of pressure reducer stopcock and fine screen ≤ 25 µm
3.0	Machine connection: electrical connection cable 5G 2,5mm <sup>2</sup>
3.1	electricity supply to the machine: 3N PE 400V ~ 60Hz nominal current / - capacity: 18.4 A / 8.4 kW Fuse protection: 20 A ⚡ Voltage equalising cable The master switch must be provided on site Electrical equipment suitable for supply voltage: 3N PE 380-415 V 60 Hz
6.0	Heat load of warewash area
6.1	for 20 programme cycles/h total 2.1 kW, perceptible 1.4 kW, latent 0.7 kW
all cables, pipes etc leaving machine 1,6 m	
the position of the connection piping can also be mirror-inverted!	
<b>Machine Equipment</b>	
(A) Entry height	
(D) Rinse agent pipe and suction lance	
(E) Detergent dosing unit with suction lance	
Chlorine-resistant membrane (> 0,1 mg/l bis 2,0 mg/l)	
	Please observe the installation indications of the additional document MP_T-INFO-GIO_EN.pdf



MP000394013.1.7

©COPYRIGHT by MEIKO



MEIKO MIDDLE EAST FZE  
GoldDiamond Park, Building#6, office #206  
P.O. Box 282365, U.A.E.-Dubai  
Phone +971 43 41 51 72  
E-MAIL: wat@meiko.de

This drawing may not be neither passed to third parties for their information or copied or used for competitive purposes without our consent. All rights reserved. We reserve the right to make changes resulting from technical progress. This drawing was computer generated and is not subject to the checking and any release process; it is also not subject to change management.

**Please note:**

This document is only valid in conjunction with the conditions defined in Supplementary Sheet "Important Information". These can be requested from the manufacturer or downloaded from the Partnernet.

Revision		Type	UPSTER U 500
Reference	DISHWASHER STANDARD DRAWING / SAU	M2	GIO MODULE SEPARATE
Drawing-No.	S00076367	Order-No.	
Scale	1:25	checked:	03.03.2020 m-iplan
drawn:	03.03.2020 m-iplan		

SAU EN

©COPYRIGHT by MEIKO