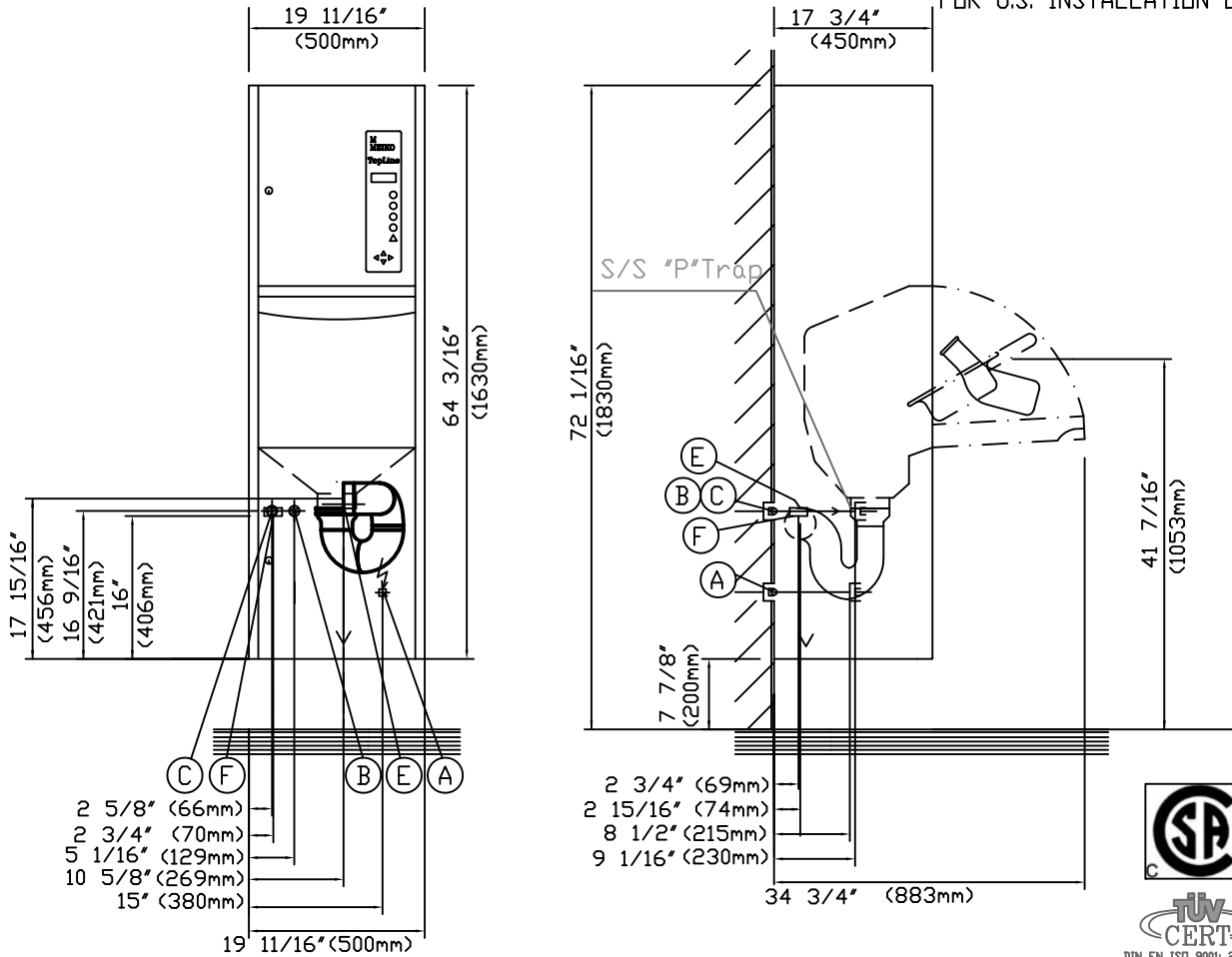


FOR U.S. INSTALLATION ONLY.



FOR ANCHORAGE REFER TO OSHPD OPA-2918-10 Weight 70 kg - 154 lbs.

Sanitary installation		MEIKO	In the building
B	Cold Water	1/2" NPT "Y" Strainer	Inlet pipe 3/4". Stop-cocks, 41°-77°F Flow: flow pressure >4,76 Gal/Minute., >14,5 PSI
C	Hot water	1/2" NPT "Y" Strainer	Inlet pipe 3/4". Stop-cocks, 110°-140°F Flow: flow pressure >4,76 Gal/Minute., >14,5 PSI
E	Waste Outlet TopLine20	3" "P" Trap	Waste Pipe 3" DFU 4
F	Vent TopLine20	2" Vent Connection	Local Area Vent 2" 12.4 CFM

Electrical installation		MEIKO	In the building
A	3 PH ~ 208/230V, 60Hz, 4.2KW/4.6KW		Wall socket and main fuse. Protection: 2x15A. Protective measures as well as connection of the equi-potential bonding must be carried out according to IEC 364-5-54 and conform to the local and national power utilities regulations.
Protection class: Equipment Class 1, Pollution Degree 2, Installation Category II, Main switch,			

Connection dimensions are subject to tolerances.
It is neither allowed to give this drawing without our permissions to a third party for information or reproduction,
nor may it be used for competition purposes. All rights are reserved ! Subject to technical changes.



MEIKO USA INC.
1349 Heil Quaker Blvd. LaVergne TN 37086
UNITED STATES OF AMERICA
TEL. (615)399-6600; FAX: (615)399-6600

Alter.	Drawn	Checked
--------	-------	---------

Reference	Type	TOPLINE10 DT-NDV	
		Thermal disinfection, Internal Steam Generation	
	Proj. no.		
	Drawing no.		Index

Scale: 1:20 Drawn: db Date: May.10.2011 Checked: db Date: May.10.2011