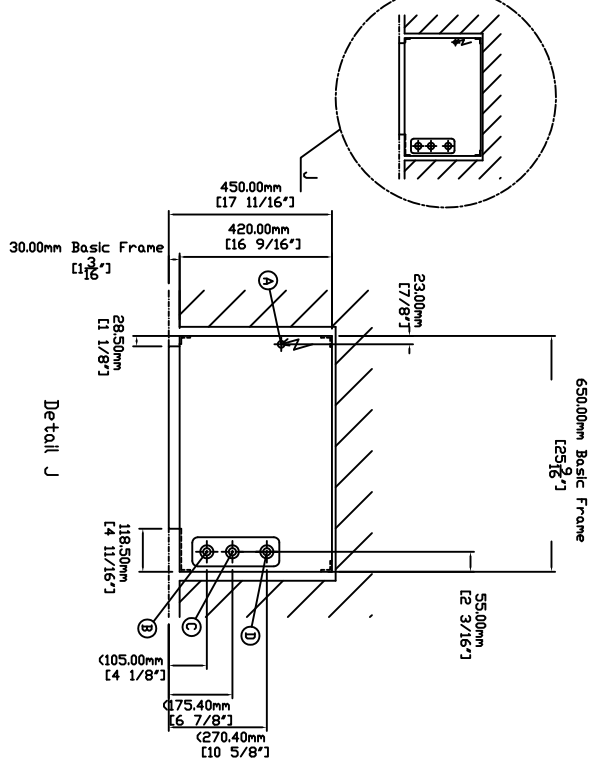
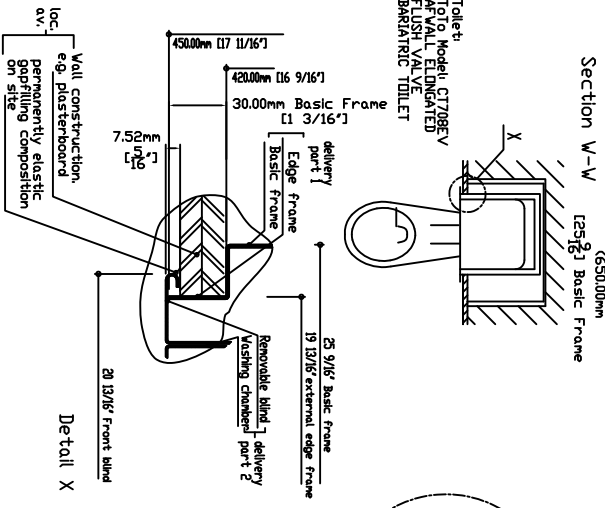


Note: See DPA-2522-10



Note: See DPA-2522-10  
Weight of frame 30 kg - 66 lbs.  
Weight of unit 80 kg - 176 lbs.  
Total weight 110 kg - 242 lbs.



Sanitary Installation	MEIKO	In the building
A Cold Water	R 1/2" NPT, Stop-cocks, w/ Strainer	Inlet pipe 3/4", 41"-77"
B Hot water	R 1/2" NPT, Stop-cocks, w/ Strainer	Inlet pipe 3/4", 41"-77"
C Low pressure steam	R 1/2" NPT, Stop-cocks, w/ Strainer	Inlet pipe 3/4", 41"-77"
D Waste Outlet	3" P-Trap	Waste Pipe 3" JBU 4
E Vent	Vent Connection	Local Area Vent 2" 124 CFH
F Electrical Installation	Electrical Installation	Date from top edge basic frame about 5" Min. raise connection of the equipment. Bonding must be carried out according to IEC 384-5-54 and conform to the local and national power utilities regulations.

It is neither allowed to give this drawing without our permission to a third party for information or reproduction, nor may it be used for competition purposes. All rights are reserved. I shall be subject to technical changes.

MEIKO USA INC.  
1349 Hill Quaker Blvd. LaVerne TN 37086  
UNITED STATES OF AMERICA  
TEL: (615)399-6500 FAX: (615)399-6500

Reference: Type TDP1 INC30 VC DT-NDD RH ADA  
Thermal disinfection/External Steam Supply  
Alter: Drawn  
Proj. no.  
Drawing no.  
Checked: db  
Index

Scale: 1:20  
Drawn: db  
Date: May/10/2011  
Checked: db  
Date: May/10/2011