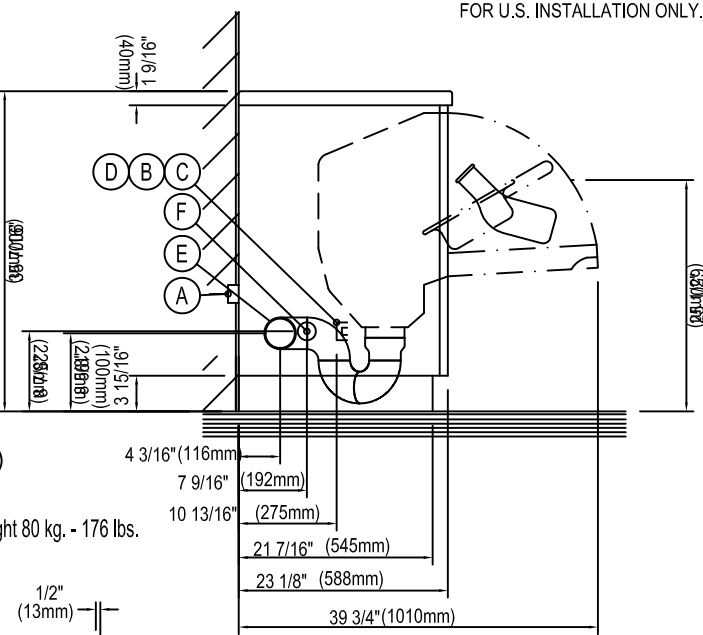
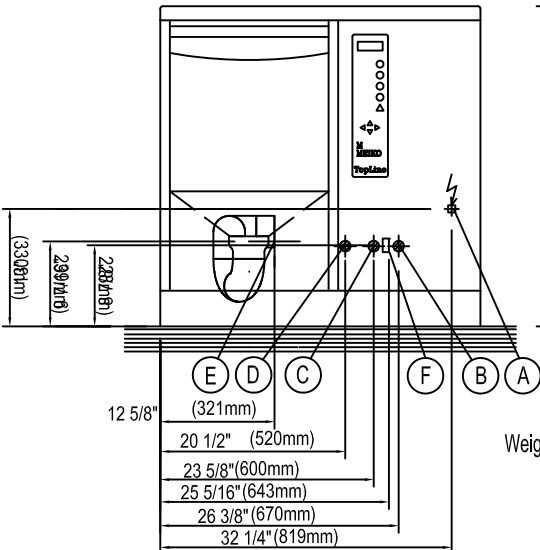
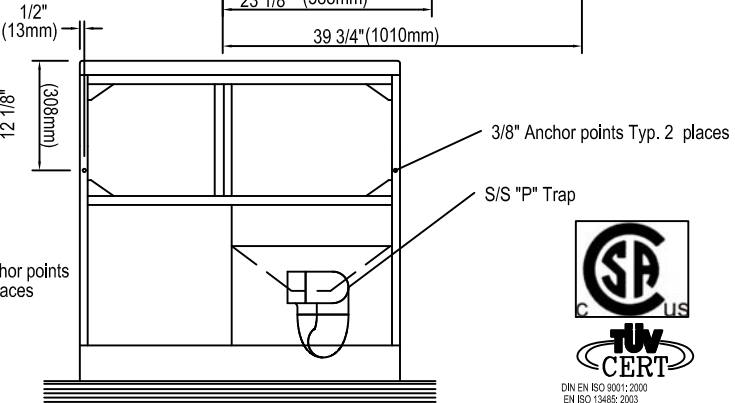
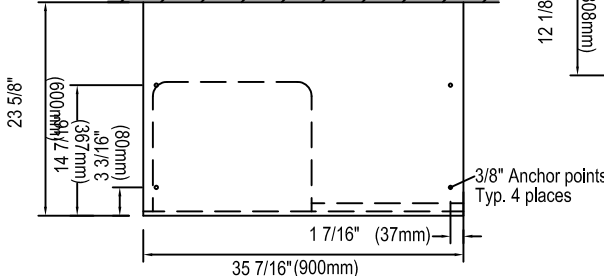


FOR U.S. INSTALLATION ONLY.



Weight 80 kg. - 176 lbs.



For anchorage refer to OSHPD OPA-2523-10



Sanitary installation		MEIKO	In the building
B	Cold Water	1/2" NPT "Y" Strainer	Inlet pipe 3/4". Stop-cocks, 41°-77°F Flow: flow pressure >4.76 Gal/Minute., >14.5 PSI
C	Hot water	1/2" NPT "Y" Strainer	Inlet pipe 3/4". Stop-cocks, 110°-140°F Flow: flow pressure >4.76 Gal/Minute., >14.5 PSI
D	Low Pressure Steam TopLine40	R 1/2" NPT, Stop Cocks Dirt collector	Od: max. 7.3 PSI with steam trap and return Steam lines must be cleaned of debris
E	Waste Outlet TopLine40	3" "P" Trap	Waste pipe 3" DFU 4
F	Vent TopLine40	2" Vent Connection	Local Area Vent 2" 12.4 CFM
Electrical installation			Wall socket and main fuse. Protection: 3x15A. Protective measures as well as connection of the equi-potential bonding must be carried out according to IEC 364-5-54 and conform to the local and national power utilities regulations.
A	1 PH ~ 208/230V, 60Hz, 0.8kW Protection class: Equipment Class 1, Pollution Degree 2, Installation Category II, Main switch,		

Connection dimensions are subject to tolerances.
It is neither allowed to give this drawing without our permissions to a third party for information or reproduction,
nor may it be used for competition purposes. All rights are reserved ! Subject to technical changes.

MEIKO USA INC. 1349 Heil Quaker Blvd. LaVergne TN 37086 UNITED STATES OF AMERICA TEL. (615)399-6600; FAX: (615)399-6600	C	m Apr.08.2009	m Apr.08.2009
	B	m Feb.19.2008	m Feb.19.2008
	A	m Nov.20.2007	m Nov.20.2007
	Alter.	Drawn	Checked

Reference	Type	TOPLINE40 DT-NDD Thermal disinfection, External Steam Supply	
	Proj. no.		
	Drawing no.	A	Index

Scale: 1:20 Drawn: rm Date: May.10.2011 Checked: db Date: May.10.2011